

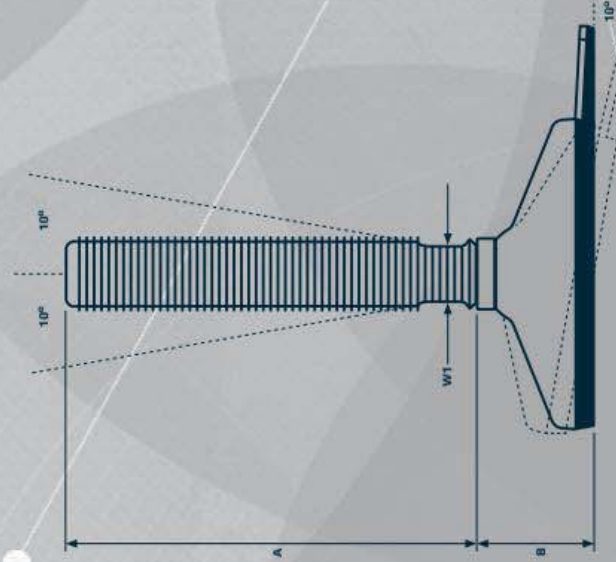
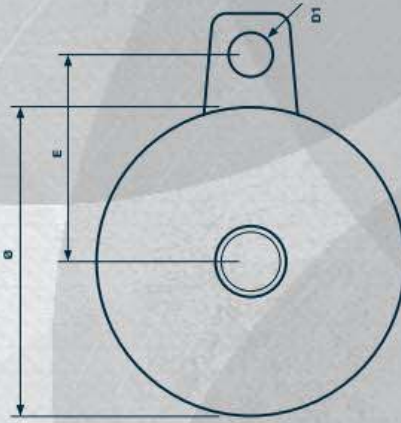
FULLY-THREADED LEVELLING FEET HX FIXING

The design and patent protected HX Fixing fully-threaded levelling foot is the optimal choice for machinery and equipment in diverse production environments.

The HX Fixing is designed to be fastened to the floor by the fixing plate. Bolt, nut and washer can be supplied.

Minimum cleaning effort is obtained by the design of the self-draining surfaces.

Additionally, the foot is hygienically sealed to the floor by vulcanized FDA-approved, anti-vibration, anti-slip rubber, which blocks out bacteria underneath the footplate.



FULLY-THREADED LEVELLING FEET HX FIXING



PRODUCT CODE
EXAMPLE

FOOT - THREAD - SPINDLE TYPE
HX066 - 12 - 050

FOOT PLATE



SPINDLE



TYPE	DIAMETER Ø [mm]	HEIGHT B [mm]	SOLE POSITION E [mm]	SOLE DIAMETER D1 [mm]	NOM LOAD COMPRESSION [N]	ITEM CODE
66	65	34	46,8	15	9.000	HX066
81	80	39	53,2	15	15.000	HX081
106	105	39	70,0	15	22.000	HX106

TYPE	50	70	100	150	180	230	310	W1 [mm]
THREAD	M12	M16	M20	M24	M30	M36	M42	
	17.000	32.000	49.000	70.000	112.500	162.000	220.000	
	17.000	32.000	49.000	70.000	112.500	162.000	220.000	
	8.000	29.000	49.000	70.000	112.500	162.000	220.000	
	5.000	20.000	48.000	70.000	112.500	162.000	220.000	
	3.000	12.500	30.000	65.000	112.500	162.000	220.000	
	1.500	7.500	15.000	35.000	95.000	162.000	220.000	
	10	13	17	19	24	30	36	
HEIGHT A [mm]	49	70	97	139	172	223	305	

Total height
Maximum nominal load
Tolerance of height A

* A + B
* Lowest value for footplate or spindle
* +/- 1,5 mm

* Adjust A +6 mm and B -6 mm if footplate is combined with spindle M30, M36 or M42

