

FULLY-THREADED LEVELLING FEET M FIXING

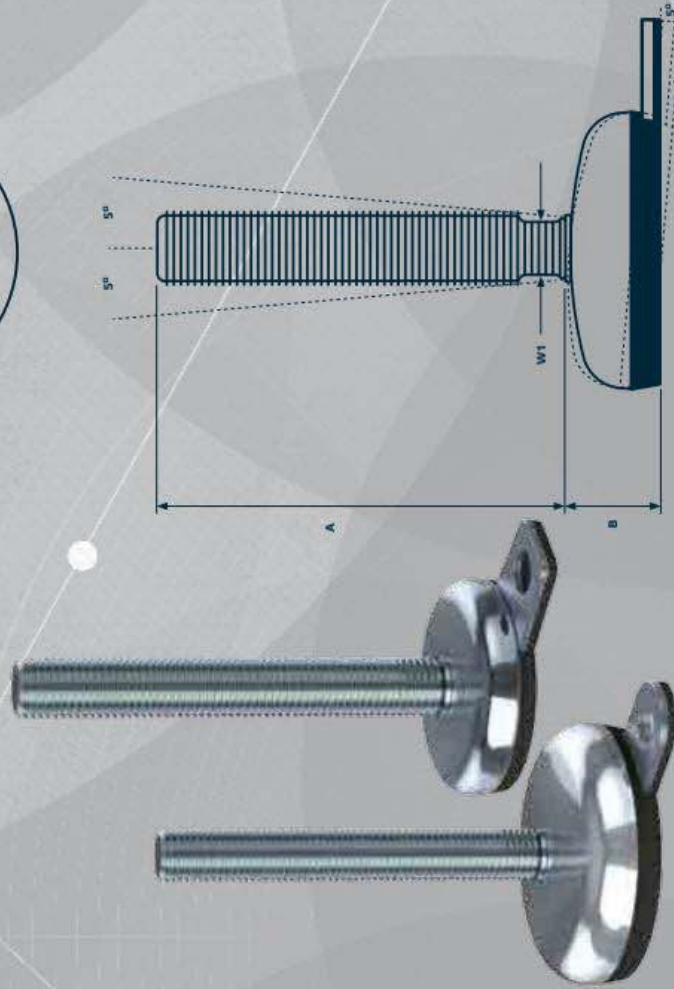
The design and patent-protected M Fixing fully-threaded levelling foot is the optimal choice for standardized machinery and equipment in diverse production environments.

The M Fixing is designed to be fastened to the floor by the fixing plate. Bolt, nut and washer can be supplied.

The wide footplate variety makes the Type M Series applicable to all sizes of machinery and equipment.

Lowered cleaning effort is obtained by the design of the self-draining surfaces.

Additionally, the foot is hygienically sealed to the floor by vulcanized FDA-approved, anti-vibration, anti-slip rubber, which blocks out bacteria underneath the footplate.



FULLY-THREADED LEVELLING FEET M FIXING



FOOT PLATE



SPINDLE



PRODUCT CODE
EXAMPLE

FOOT - THREAD - SPINDLE TYPE
M076-10-050

TYPE	DIAMETER Ø [mm]	HEIGHT B [mm]	HOLE POSITION E [mm]	HOLE DIAMETER D1 [mm]	NOM LOAD COMPRESSION [N]	ITEM CODE
76	75	24	52	15	12.000	M076
106	100	34	67	15	14.000	M106

THREAD	TYPE ▶	DIAMETER [mm]	HEIGHT [mm]	HOLE POSITION [mm]	HOLE DIAMETER [mm]	NOM LOAD [N]	ITEM CODE
M10	50	3.500	3.500	3.500	2.000	1.700	- 13
M12	70	17.000	17.000	17.000	8.000	3.000	- 10
M16	100	32.000	32.000	29.000	20.000	12.500	7.500 13
M20	150	49.000	49.000	49.000	48.000	30.000	15.000 17
M24	200	70.000	70.000	70.000	70.000	65.000	35.000 19
M30	250	112.500	112.500	112.500	112.500	112.500	95.000 24
M36	300	162.000	162.000	162.000	162.000	162.000	162.000 30
M42	350	220.000	220.000	220.000	220.000	220.000	220.000 36

HEIGHT A [mm]	53	72	106	147	180	230	313
------------------	----	----	-----	-----	-----	-----	-----

Total height
Maximum nominal load
Tolerance of height A

• A + B
• Lowest value for footplate or spindle
• +/-1,5 mm

• M10 spindle not supplied for M106 footplate

