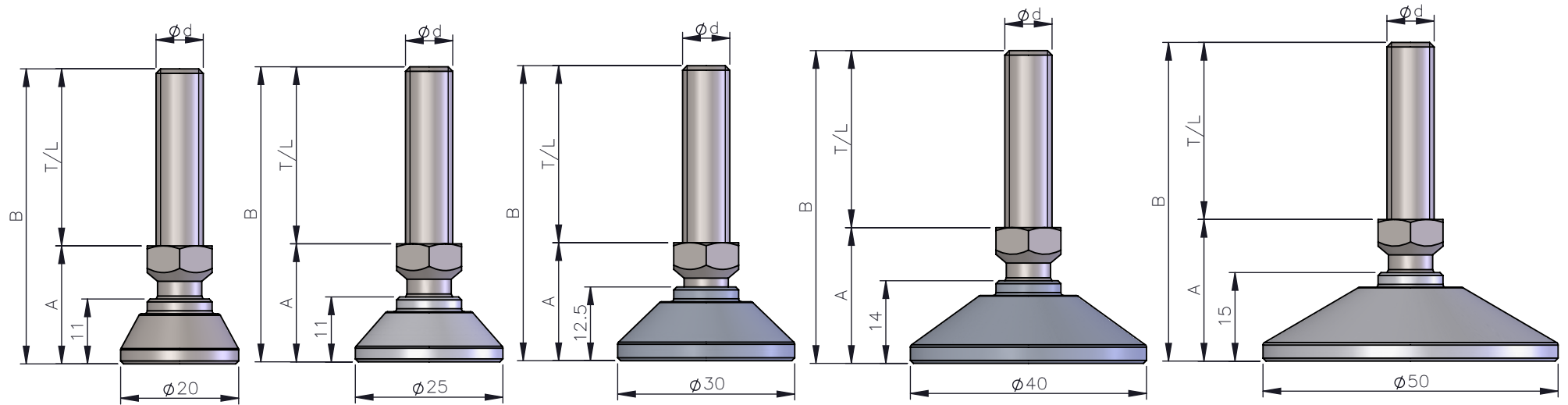
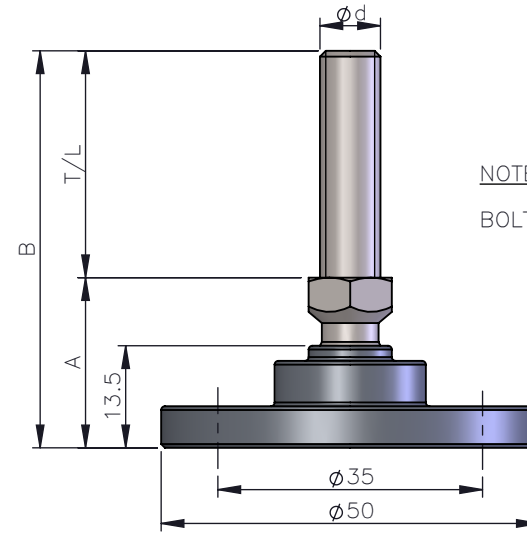
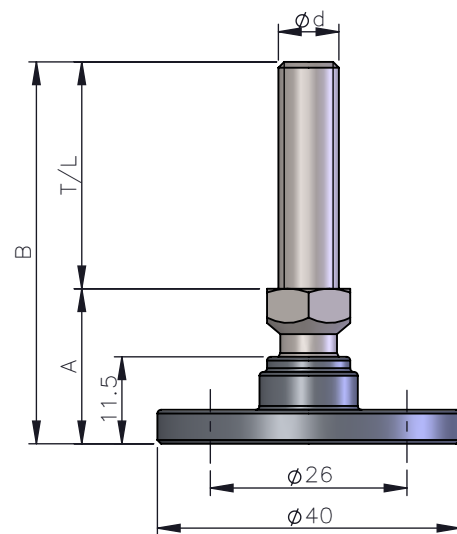


THIS DRAWING IS TO BE READ IN CONJUNCTION WITH THE TABLE BELOW



ϕd	T/L
M6	20 or 30mm
M8	20, 30 or 40mm
M10	20, 30, 40 or 50mm



NOTE
BOLT HOLE DIMENSIONS TO SUIT $\phi 5$ mm BOLT.



THIS DRAWING IS THE PROPERTY OF ARNOTT HANDLING EQUIPMENT LIMITED. IT MUST NOT BE REPRODUCED, USED FOR MANUFACTURE OR DISCLOSED WITHOUT THE WRITTEN CONSENT OF:

ARNOTT HANDLING EQUIPMENT LTD
FERROFIELDS
BRIXWORTH
NORTHAMPTON
NN6 9UA
TEL: 01604 - 882232
E-MAIL: sales@arnott-group.co.uk
WEB SITE: www.arnott-group.co.uk

TITLE:

SMALL SERIES S/S ADJUSTABLE FOOT

REV:

A