

# CERTIFIED HYGIENIC XHS FIXING



The design and patent protected XHS Fixing levelling foot is the optimal choice for machinery and equipment that has to comply with the strictest hygienic requirements.

The XHS Fixing is designed to be fastened to the floor by the fixing plate. Hygienic washer according to 3-A, USDA & EHEDG specifications is included. Bolt and dome-headed nut can be supplied.

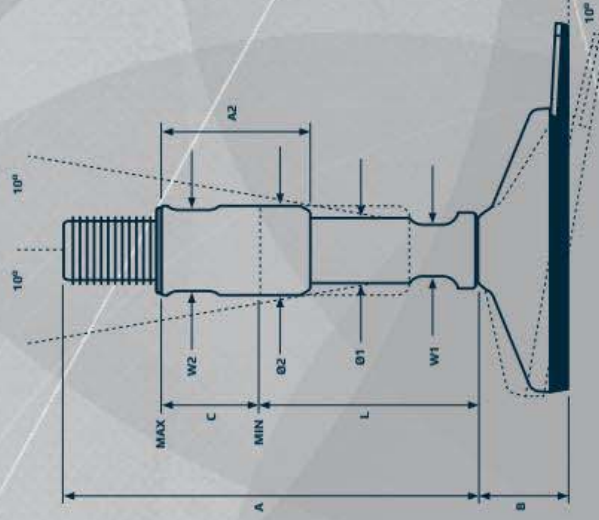
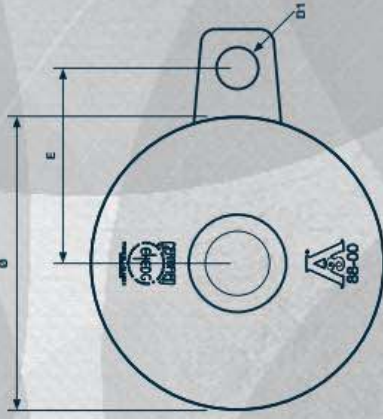
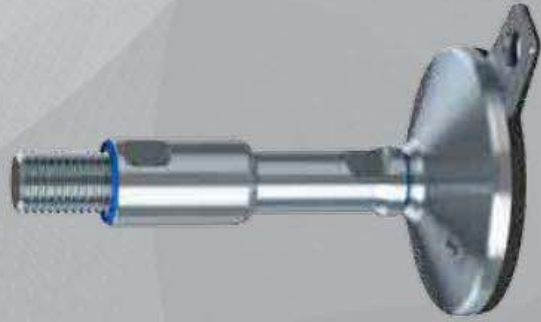
The thread is covered with a hygienic sleeve, which cannot be overadjusted and secures safety against exposed thread. The sleeve also functions as counter nut.

All movable parts are 100% hygienically sealed even if the load on the foot is removed. All sealings are blue and therefore detectable by scanning systems.

Minimum cleaning effort is obtained by the design of the self-draining surfaces. Additionally, the foot is hygienically sealed to the floor by vulcanized, FDA-approved, anti-vibration, anti-slip rubber, which blocks out bacteria underneath the footplate.

#### Included in every shipment

- Official 3-A, USDA and EHEDG hygienic certificates
- Installation instructions
- Cleaning & maintenance instructions



# CERTIFIED HYGIENIC LEVELLING FEET XHS FIXING



PRODUCT CODE  
EXAMPLE



#### FOOT PLATE



#### SPINDLE



#### SLEEVE



FOOT - SPINDLE - SLEEVE  
XHS066-XHS16150-RHDXS1650

TYPE	DIAMETER Ø [mm]	HEIGHT B [mm]	HOLE POSITION E [mm]	HOLE DIAMETER Ø1 [mm]	NOM LOAD COMPRESSION [N]	ITEM CODE
66	65	28	46,8	15	9.000	XHS066
81	80	33	53,2	15	15.000	XHS081
106	105	33	70,0	15	22.000	XHS106

THREAD	HEIGHT A [mm]	MIN HEIGHT L [mm]	DIAMETER Ø1 [mm]	NOM LOAD COMPRESSION [N]	ITEM CODE
M16	155	80	13	30.800	XHS16155
M16	215	110	13	24.900	XHS16215
M20	155	80	15	48.200	XHS20155
M20	215	110	15	48.200	XHS20215
M24	155	80	19	69.200	XHS24155
M24	215	110	19	69.200	XHS24215
M30	155	80	24	110.200	XHS30155
M30	215	110	24	110.200	XHS30215
M36	155	80	27	160.200	XHS36155
M36	215	110	27	160.200	XHS36215

THREAD	DIAMETER Ø2 [mm]	HEIGHT A2 [mm]	ADJUSTMENT C [mm]	ITEM CODE	
M16	22	24,8	55	36	RHDXS1650
M16	22	24,8	85	66	RHDXS1680
M20	27	29,7	55	36	RHDXS2050
M20	27	29,7	85	66	RHDXS2080
M24	30	34,5	55	36	RHDXS2450
M24	30	34,5	85	66	RHDXS2480
M30	36	39,5	55	33	RHDXS3050
M30	36	39,5	85	63	RHDXS3080
M36	46	49,5	55	33	RHDXS3650
M36	46	49,5	85	63	RHDXS3680

Total height  
Minimum usable height  
Maximum usable height  
Maximum nominal load  
Tolerance of total height

- A + B
- B + L
- B + L + C
- Lowest value for footplate or spindle
- +/- 1,5 mm

